



## Wireless receiver RF Rx SW917-4S 24VDC Material number: 1353450

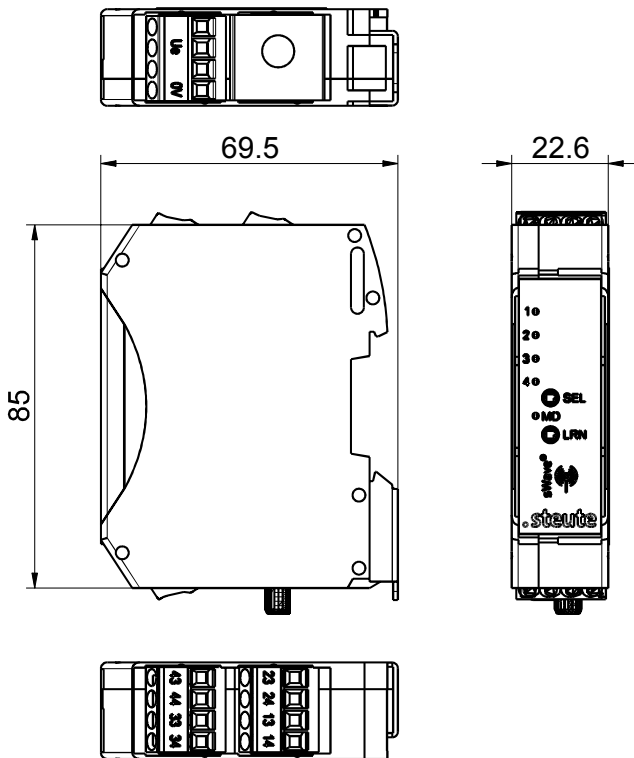
### Features/Options:

- sWave® wireless technology
- 4 potential-free relay outputs
- 4 NO contacts, max. 3 A

### Notes

- External antenna always required for optimum wireless range

### Dimensions



### Technical data

Applied standards	EN 60947-5-1, EN 61000-6-2, EN 61000-6-3, EN 61000-4-2, EN 61000-4-4, EN 61000-4-5, EN 61000-4-6, EN 60068-2-6, EN 60068-2-27, EN 301 489-1, EN 301 489-3, EN 300 220-1, EN 300 220-2
Degree of protection	IP 20 to IEC/EN 60529
Frequency	917 MHz (Brazil)
Number of channels	4
Mounting	DIN rail mounting
Connection	screw connection terminals 0.14 mm <sup>2</sup> - 2,5 mm <sup>2</sup> , stripping length 8 mm
Inputs	4 wireless channels, max. 40 transmitters
Outputs	4 NO contacts (relay)
Rated operating current/voltage $I_e/U_e$	max. 0.1 A/24 VDC -15 % ... +10 %; output contacts: 3 A/250 VAC; 3 A/24 VDC
Utilisation category	AC-15; DC-13
Rated operating isolation voltage $U_i$	250 VAC
Rated impulse withstand voltage $U_{imp}$	2.5 kV
Display	green LED: operating state, orange LED: switching conditions
Operation cycles	approx. 12000 telegrams with repetitions/h
Degree of pollution	2
Ambient temperature	-20 °C ... +55 °C
Storage and shipping temperature	-25 °C ... +85 °C

Errors and omissions excepted.



Wireless receiver  
RF Rx SW917-4S 24VDC  
Material number: 1353450

## Technical data

Note	Inductive loads (contactors, relays etc.) are to be suppressed by suitable circuitry. Switching contacts are not suitable for capacitive loads.
------	---

Wireless approvals	Brazil: ANATEL 04172-18-06718
--------------------	-------------------------------

Weight	87 g
--------	------

## Arrangement of receiver and switch antenna



A = Optimum mounting  
B = Possible mounting  
C = Unsuitable mounting