



## Wireless receiver RF Rx SW868-4S 24VDC Power-down-function Material number: 1363011

### Features/Options:

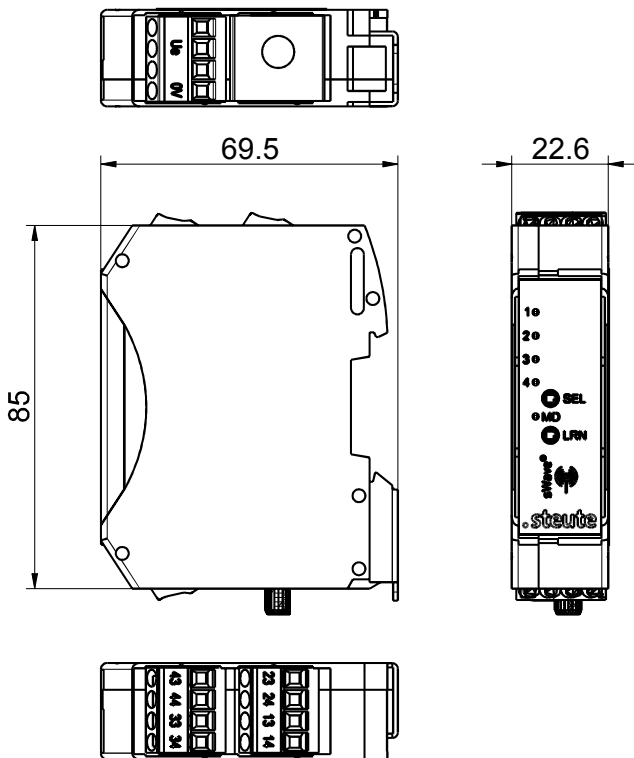
- sWave® wireless technology
- 4 potential-free relay outputs
- 4 NO contacts, max. 3 A
- Transmitter/receiver assignment by teaching mode

### Notes

- External antenna always required for optimum wireless range

- LEDs for indication of switching state
- SMA plug-in connector for external antenna
- Power-down-function (saves the last signal status from the relay output, if the power supply of the receiver box is interrupted)

### Dimensions



### Technical data

Applied standards	EN 60947-5-1, EN 61000-6-2, EN 61000-6-3, EN 61000-4-2, EN 61000-4-4, EN 61000-4-5, EN 61000-4-6, EN 60068-2-6, EN 60068-2-27, EN 301 489-1, EN 301 489-3, EN 300 220-1, EN 300 220-2
Degree of protection	IP 20 to IEC/EN 60529
Frequency	868.3 MHz (Europe)
Number of channels	4
Mounting	DIN rail mounting
Connection	screw connection terminals 0.14 mm <sup>2</sup> - 2,5 mm <sup>2</sup> , stripping length 8 mm
Inputs	4 wireless channels, max. 40 transmitters
Outputs	4 NO contacts (relay)
Rated operating current/voltage $I_e/U_e$	max. 0.1 A/24 VDC -15 % ... +10 %; output contacts: 3 A/250 VAC; 3 A/24 VDC
Utilisation category	AC-15; DC-13
Rated operating isolation voltage $U_i$	250 VAC
Rated impulse withstand voltage $U_{imp}$	2.5 kV
Display	green LED: ready for operation, orange LED: signalling of switching state
Operation cycles	approx. 12000 telegrams with repetitions/h
Degree of pollution	2
Ambient temperature	-20 °C ... +55 °C

Errors and omissions excepted.



Wireless receiver  
RF Rx SW868-4S 24VDC Power-down-function  
Material number: 1363011

## Technical data

Storage and shipping temperature	-25 °C ... +85 °C
Note	Inductive loads (contactors, relays etc.) are to be suppressed by suitable circuitry. Switching contacts are not suitable for capacitive loads.
Wireless approvals	Europe: RED 2014/53/EU
Weight	80 g

## Arrangement of receiver and switch antenna



- A = Optimum mounting
- B = Possible mounting
- C = Unsuitable mounting