



Wireless position switch

RF 95 DS ULR SW915

Material number: 1261271 (Material number old: 95929005)

Features/Options:

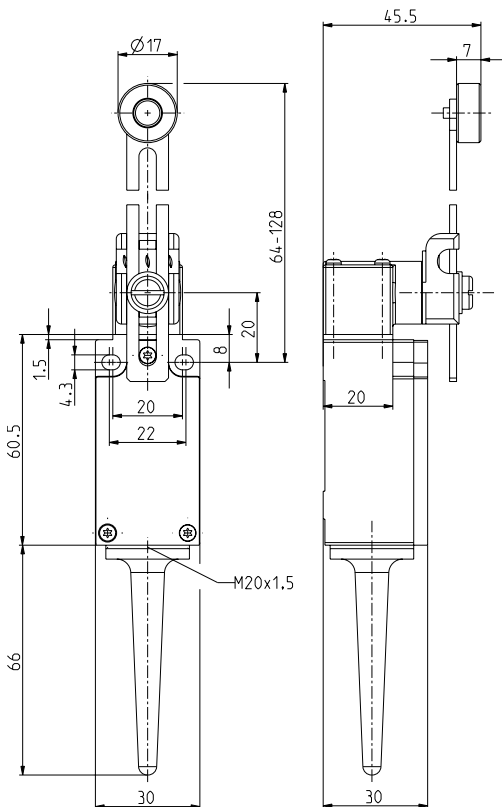
- Thermoplastic enclosure
- Design to EN 50047
- sWave® wireless technology
- No power supply, no wiring and pipe laying required
- Easy programming of receiver
- Output signal can be individually configured at the receiver

- Actuator: Adjustable rocking lever DS
- Lever angle adjustable in 10° steps
- Position of roller can be adjusted
- Wear-resistant plastic roller
- Actuator can be repositioned by 4 x 90°

Notes

- With metal roller available on request

Dimensions



Technical data

| | |
|----------------------|---|
| Applied standards | EN 60947-5-1, EN 61000-6-2, EN 61000-6-3, EN 61000-4-2, EN 61000-4-20, EN 301 489-1, EN 301 489-3, EN 300 220-1, EN 300 220-2 |
| Enclosure | thermoplastic, glass-fibre reinforced, impact resistant, self-extinguishing UL 94 V-0 |
| Cover | thermoplastic, glass-fibre reinforced, impact resistant, self-extinguishing UL 94 V-0 |
| Tightening torque | enclosure mounting screws: 1.2 ... 1.3 Nm cover screws: 0.5 ... 0.6 Nm |
| Degree of protection | IP 67 to IEC/EN 60529 |
| Protocol | sWave® |
| Frequency | 915 MHz (USA, Canada and Mexico) |
| Transmission power | < 25 mW |
| Data rate | 66 kbps |
| Channel bandwidth | 550 kHz |
| Voltage supply | electrodynamic energy generator |
| Ambient temperature | -20 °C ... +65 °C |
| Operation cycles | approx. 12000 telegrams with repetitions/h |
| Wireless range | max. 700 m outside, max. 50 m inside |
| Mechanical life | > 1 million operations |
| Actuating time | min. 80 ms |
| Note | no status signal available |

Errors and omissions excepted.



Wireless position switch

RF 95 DS ULR SW915

Material number: 1261271 (Material number old: 95929005)

Technical data

Wireless approvals

USA: FCC Part 15.247: XK5-
RF95 SW915 LR
Canada: IC RSS-210: 5158A-
RF95 SW915 LR
Mexico: IFT - RCPSTRF17-1884

Switching diagram

