



## Wireless position switch RF 13 D SW915 Material number: 1378092

### Features/Options:

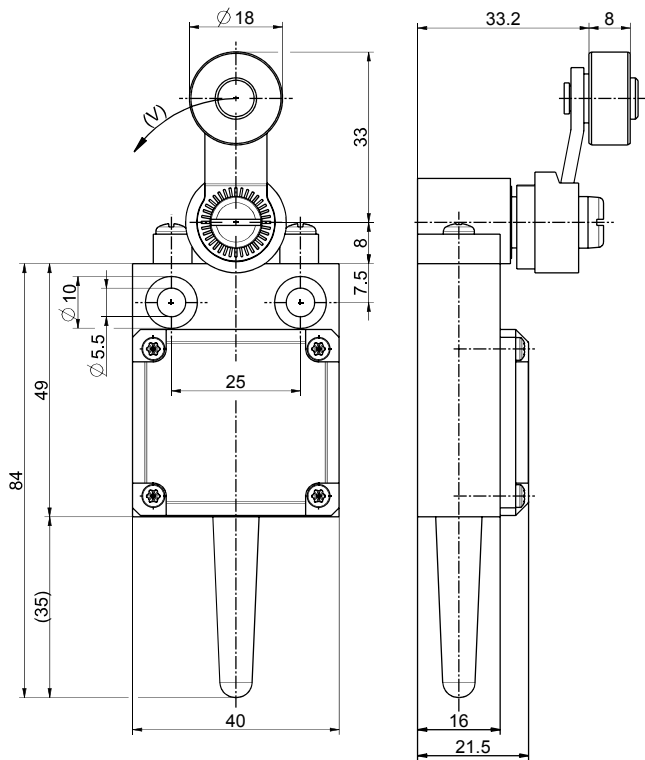
- sWave® wireless technology
- Thermoplastic enclosure
- Smallest self-sufficient position switch
- Switching behaviour/ hysteresis similar to microswitch
- No power supply, no wiring and pipe laying required
- Easy programming of receiver

### Notes

- With metal roller available on request

- Output signal can be individually configured at the receiver
- Actuator: Rocking lever D
- Wear-resistant plastic roller
- Lever can be repositioned in 10° steps clockwise or counter-clockwise
- Actuator can be repositioned by 180°

### Dimensions



### Technical data

Applied standards	EN 60947-5-1, EN 61000-6-2, EN 61000-6-3, EN 61000-4-2, EN 61000-4-20, EN 301 489-1, EN 301 489-3, EN 300 220-1, EN 300 220-2
Enclosure	thermoplastic, glass-fibre reinforced, impact resistant, self-extinguishing UL 94 V-0
Degree of protection	IP 67 to IEC/EN 60529
Protocol	sWave®
Frequency	915 MHz (USA, Canada and Mexico)
Transmission power	< 25 mW
Data rate	66 kbps
Channel bandwidth	550 kHz
Voltage supply	electrodynamic energy generator
Ambient temperature	-20 °C ... +65 °C
Operation cycles	approx. 12000 telegrams with repetitions/h
Wireless range	max. 450 m outside, max. 40 m inside
Mechanical life	800 000 operations
Actuating time	min. 80 ms
Actuating speed V	min. 0.18 m/s; max. 1.5 m/s
Switch-off travel	Zero position must be achieved
Note	no status signal available

Errors and omissions excepted.



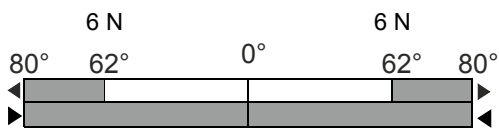
Wireless position switch  
RF 13 D SW915  
Material number: 1378092

## Technical data

Wireless approvals

USA: FCC Part 15.247: XK5-  
RF95 SW915 LR  
Canada: IC RSS-210: 5158A-  
RF95 SW915 LR  
Mexico: IFT - RCPSTRF17-1884

## Switching diagram



Errors and omissions excepted.