



Wireless magnetic sensor RF RC M30 SW922 KST LBT Material number: 1372330

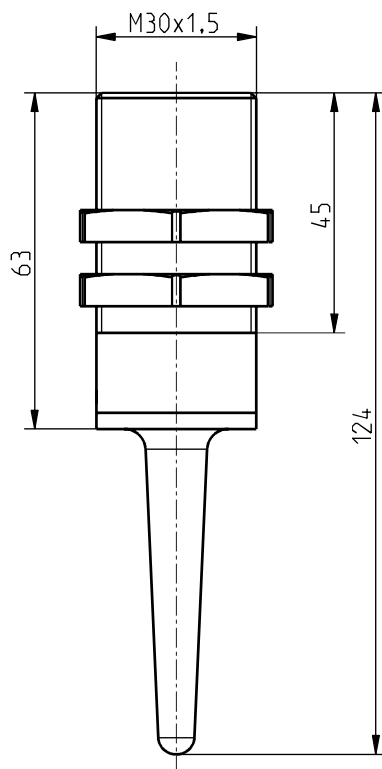
Features/Options:

- Thermoplastic enclosure
- sWave® wireless technology
- Power supply by Lithium battery
- No wiring and pipe laying required
- Easy programming of receiver
- Output signal can be individually configured at the receiver
- LBT - Listen before Talk Software

Notes

- 2 mounting nuts are included in delivery
- The actuator is not included in the delivery of the switches

Dimensions



Technical data

Applied standards	EN 60947-5-1, EN 61000-6-2, EN 61000-6-3, EN 61000-4-2, EN 61000-4-20, EN 301 489-1, EN 301 489-3, EN 300 220-1, EN 300 220-2
Enclosure	PVC-C
Tightening torque	mounting nut: max. 4 Nm
Degree of protection	IP 67 to IEC/EN 60529
Protocol	sWave®
Frequency	916.5 MHz (Japan)
Transmission power	< 1 mW
Data rate	66 kbps
Channel bandwidth	520 kHz
Voltage supply	lithium battery CR 2032 (replaceable)
System	Lithium-MnO ₂
Nominal voltage	3 V
Nominal capacity	0.23 Ah
Battery life	approx. 10 years unused, approx. 6 years with 1 actuation per min.
Type of installation	flush, in not ferromagnetic material
Ambient temperature	-25 °C ... +65 °C
Switching system	Reed contact
Switching distances	M 100: s _n = 15 mm; M 30 Niro: s _n = 30 mm
Hysteresis	approx. 1 mm

Errors and omissions excepted.



Wireless magnetic sensor
RF RC M30 SW922 KST LBT
Material number: 1372330

Technical data

Operation cycles	max. 1440 telegrams with repetitions/h
Current absorption	without transmissions: approx. 1 μ A
Wireless range	max. 150 m outside, max. 20 m inside
Mechanical life	> 1 million operations
Actuating time	min. 80 ms
Note	status signal configurable ex works; transmission of battery voltage

Wireless approvals

Japan:  ARIB STD-T108:
204-610002