



Wireless magnetic sensor RF RC M30 SW917 NIRO Material number: 1486388

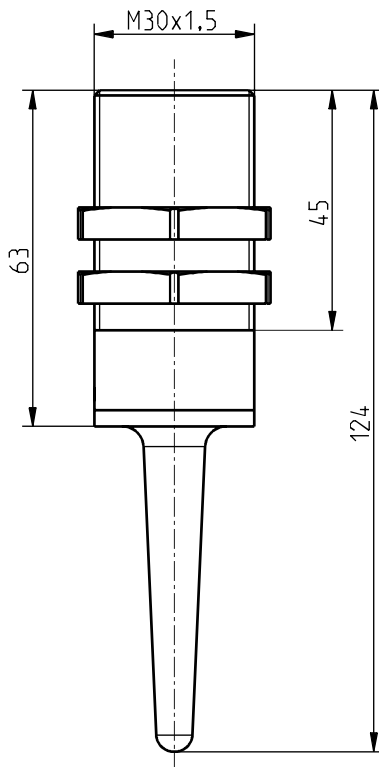
Features/Options:

- Stainless steel enclosure
- sWave® wireless technology
- Power supply by Lithium battery
- No wiring and pipe laying required
- Easy programming of receiver
- Output signal can be individually configured at the receiver

Notes

- 2 mounting nuts are included in delivery
- The actuator is not included in the delivery of the switches

Dimensions



Technical data

Applied standards	EN 60947-5-1, EN 61000-6-2, EN 61000-6-3, EN 61000-4-2, EN 301 489-1, EN 301 489-3, EN 300 220-1, EN 300 220-2
Enclosure	stainless steel 1.4539
Tightening torque	mounting nut: max. 75 Nm
Degree of protection	IP 67 to IEC/EN 60529
Protocol	sWave®
Frequency	917 MHz (Brazil)
Transmission power	< 25 mW
Data rate	66 kbps
Channel bandwidth	550 kHz
Voltage supply	Lithium battery CR 2032 (replaceable)
System	Lithium-MnO ₂
Nominal voltage	3 V
Nominal capacity	0.23 Ah
Type of installation	flush, in not ferromagnetic material
Ambient temperature	-25 °C ... +65 °C
Switching system	Reed contact
Switching distances	M 100: s _n = 15 mm; M 30 Nirol: s _n = 30 mm
Hysteresis	approx. 1 mm
Operation cycles	approx. 12000 telegrams with repetitions/h
Current absorption	without transmissions: approx. 1 µA

Errors and omissions excepted.



Wireless magnetic sensor
RF RC M30 SW917 NIRO
Material number: 1486388

Technical data

Wireless range	max. 450 m outside, max. 40 m inside
Mechanical life	> 1 million operations
Actuating time	min. 80 ms
Note	Transmission of battery voltage and switching condition
Wireless approvals	Brazil: ANATEL 04172-18-06718
Weight	152 g