



Wireless magnetic sensor RF RC M30 SW868 NIRO LBT Material number: 1253855

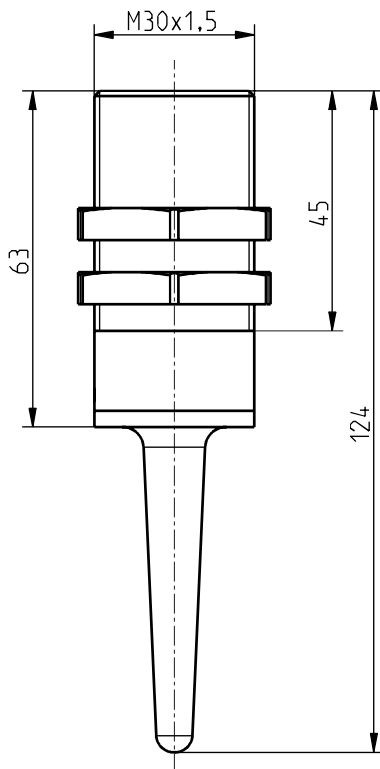
Features/Options:

- Stainless steel enclosure
- sWave® wireless technology
- Power supply by Lithium battery
- No wiring and pipe laying required
- Easy programming of receiver
- Output signal can be individually configured at the receiver
- LBT - Listen before Talk Software

Notes

- 2 mounting nuts are included in delivery
- The actuator is not included in the delivery of the switches

Dimensions



Technical data

| | |
|----------------------|--|
| Applied standards | EN 60947-5-1, EN 61000-6-2, EN 61000-6-3, EN 61000-4-2, EN 301 489-1, EN 301 489-3, EN 300 220-1, EN 300 220-2 |
| Enclosure | stainless steel 1.4539 |
| Tightening torque | mounting nut: max. 75 Nm |
| Degree of protection | IP 67 to IEC/EN 60529 |
| Protocol | sWave® |
| Frequency | 868.3 MHz (Europe) |
| Transmission power | < 25 mW |
| Data rate | 66 kbps |
| Channel bandwidth | 480 kHz |
| Voltage supply | Lithium battery CR 2032 (replaceable) |
| System | Lithium-MnO ₂ |
| Nominal voltage | 3 V |
| Nominal capacity | 0.23 Ah |
| Type of installation | flush, in not ferromagnetic material |
| Ambient temperature | -25 °C ... +65 °C |
| Switching system | Reed contact |
| Switching distances | M 100: s _n = 15 mm; M 30 Niro: s _n = 30 mm |
| Hysteresis | approx. 1 mm |
| Operation cycles | approx. 12000 telegrams with repetitions/h |
| Current absorption | without transmissions: approx. 1 µA |

Errors and omissions excepted.



Wireless magnetic sensor
RF RC M30 SW868 NIRO LBT
Material number: 1253855

Technical data

| | |
|--------------------|--|
| Wireless range | max. 450 m outside, max. 40 m inside |
| Mechanical life | > 1 million operations |
| Actuating time | min. 80 ms |
| Note | Transmission of battery voltage and switching condition |
| Wireless approvals | Europe: RED 2014/53/EU |
| Weight | 154 g |