



Wireless inductive sensor

RF IS M18 nb-ST 0.5 m

Material number: 1261564 (Material number old: 90211006)

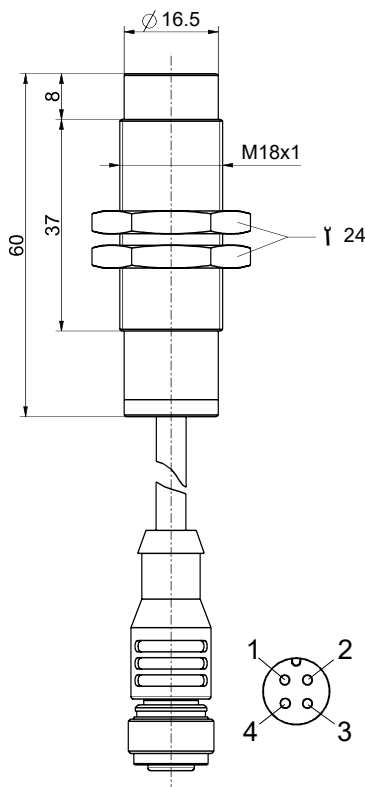
Features/Options:

- Metal enclosure
- M18 thread
- Non-flush mounting
- To be connected to [RF 96 ST or RF I/O universal transmitter](#)
- With M12 coupling, 4-pole

Notes

- 2 mounting nuts are included in delivery

Dimensions



Technical data

Applied standards	EN 60947-5-2
Enclosure	brass, nickeled
Actuator	steel plate 24 x 24 x 1 mm, FE 360
Front cap	PVC, black
Back cap	PVC, black
Degree of protection	IP 67 to IEC/EN 60529
Connection	Coupling M12 x 1, 4-pole
Cable length	0.5 m
Ambient temperature	-25 °C ... +70 °C
Rated insulation voltage U_i	75 VDC
Rated operating current I_e	0.2 mA
Rated operating voltage U_e	3 ... 5 VDC
Switching distances	s_n 8 mm; s_a 0 ... 6.48 mm; s_r 7.2 mm ... 8.8 mm
Hysteresis	approx. 10 %
Repeatability	≤ 5 %
Type of installation	non-flush
Switching frequency	see RF 96 ST / RF I/O
Correction factors	Steel (Fe360) = 1; Stainless steel approx. 0.7; Brass approx. 0.5; Aluminium approx. 0.4; Copper approx. 0.4
Note	The sensor may only be used in combination with RF 96 ST or RF I/O
Weight	80 g

Errors and omissions excepted.

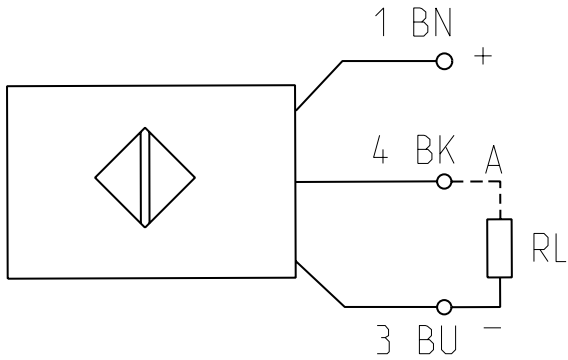


Wireless inductive sensor

RF IS M18 nb-ST 0.5 m

Material number: 1261564 (Material number old: 90211006)

Contact diagram



Errors and omissions excepted.