



Magnetic sensor Extreme RC M14 1S 2m -40°C Extreme GL Material number: 1189037 (Material number old: 21429201)

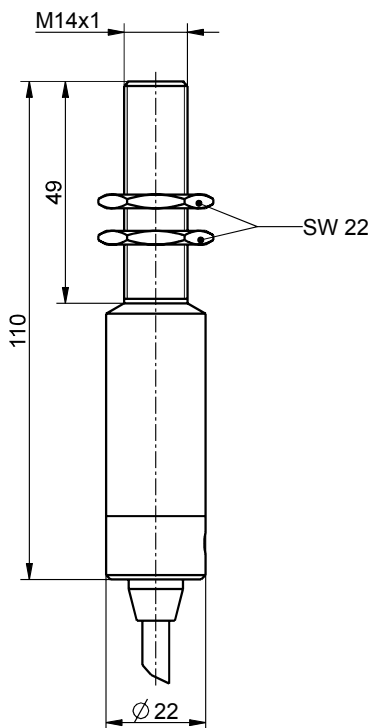
Features/Options:

- Cold-resistant down to -40 °C
- Metal enclosure
- M14 x 1 thread
- Actuation from front
- Switching distance up to 30 mm depending on the actuating magnet
- With pre-wired cable, cable length 2 m
- Maritime certification to DNV GL
- Attention: Please state required international approvals with your order!


Notes

- 2 mounting nuts are included in delivery
- The actuator is not included in the delivery of the switches

Dimensions



Technical data

Applied standards	EN 60947-5-2
Enclosure	brass, nickeled
Degree of protection	IP 67 to IEC/EN 60529
Switching system	reed contacts
Switching elements	1 NO contact
Connection	pre-wired cable MNZ45M, GL approval
Cable cross-section	2 x 0.75 mm ²
Cable length	2 m
Switching voltage	max. 250 VAC/DC
Switching current	max. 2 A
Switching capacity	max. 50 W
Ambient temperature	-40 °C ... +70 °C (fixed cable)
Mechanical life	> 1 million operations
Repeatability	± 0.02 mm
Vibration resistance	30 g
Approvals	
Weight	250 g

Errors and omissions excepted.



Magnetic sensor Extreme
RC M14 1S 2m -40°C Extreme GL
Material number: 1189037 (Material number old: 21429201)

Contact diagram

