



Magnetic sensor Extreme RC 23 1W - 10m -60°C ... +100°C IP69 Extreme Material number: 1314745

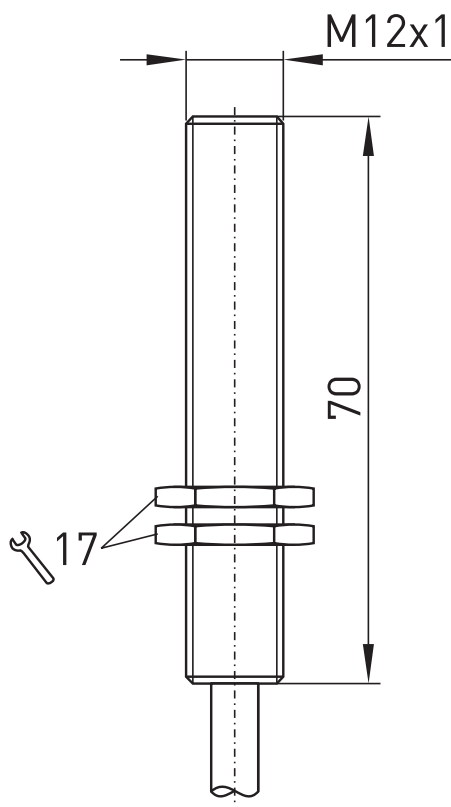
Features/Options:

- Temperature resistant from -60 °C to +100 °C
- High degree of protection IP 69, IP 69K
- Metal enclosure
- M12 x 1 thread
- Long life
- 1 Reed contact
- Actuation from front and from side
- Switching distance up to 30 mm depending on the actuating magnet
- With pre-wired cable
- Temperature resistant cable
- Attention: Please state required international approvals with your order!

Notes

- 2 mounting nuts are included in delivery
- The actuator is not included in the delivery of the switches

Dimensions



Technical data

Applied standards	EN 60947-5-2
Enclosure	brass, nickel
Degree of protection	IP 66, IP 67, IP 69 (IEC/EN 60529) / IP 69K (ISO 20653)
Switching system	reed contacts
Switching elements	1 change-over contact
Connection	pre-wired cable, Silicone SIHF
Cable cross-section	3 x 0.75 mm ²
Cable length	10 m
Switching voltage	max. 90 VAC / 125 VDC
Switching current	max. 1 A
Switching capacity	max. 30 W/VA
Switching frequency	max. 100 Hz
Ambient temperature	-60 °C ... +100 °C
Mechanical life	10 ⁹ operations
Electrical life	10 ⁹ operations
Repeatability	± 0.02 mm
Vibration resistance	20 g
Weight	761 g

Errors and omissions excepted.



Magnetic sensor Extreme
RC 23 1W - 10m -60°C ... +100°C IP69 Extreme
Material number: 1314745

Contact diagram

