

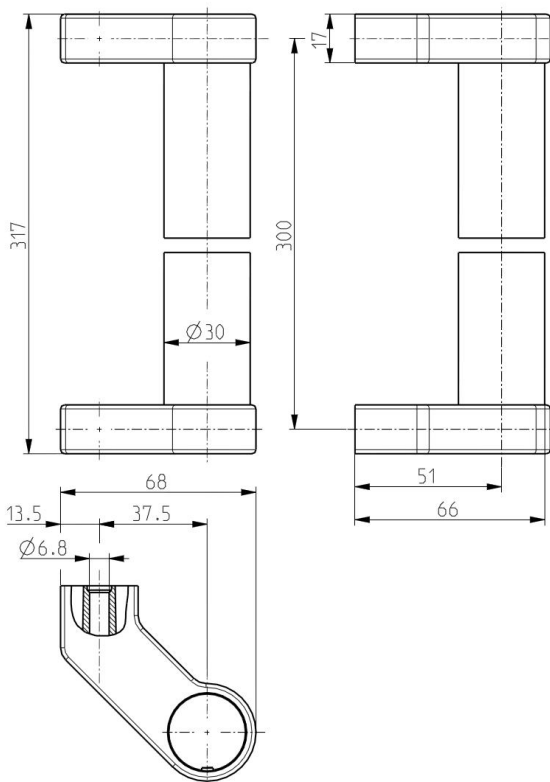


## Multi-function handle TGM-300-x x x-L Material number: 1319042

### Features/Options:

- Door handle without electrical function
- Long life
- Aluminium handle, silver matt anodised
- Variant for right-hinged doors
- Length: 317 mm

### Dimensions



### Technical data

Applied standards	EN 60947-5-1, with emergency-stop push button: EN 60947-5-5
Degree of protection	IP 67 to IEC/EN 60529
Connection	Plug-in-connector M12 x 1, 12-poles
Rated operating current/voltage $I_e/U_e$	0.5 A/24 VDC LEDs: 10 mA/24 VDC
Rated operating isolation voltage $U_i$	30 VDC
Degree of pollution	3
Mechanical life	> 1 million operations
Ambient temperature	-25 °C ... +55 °C

Errors and omissions excepted.