



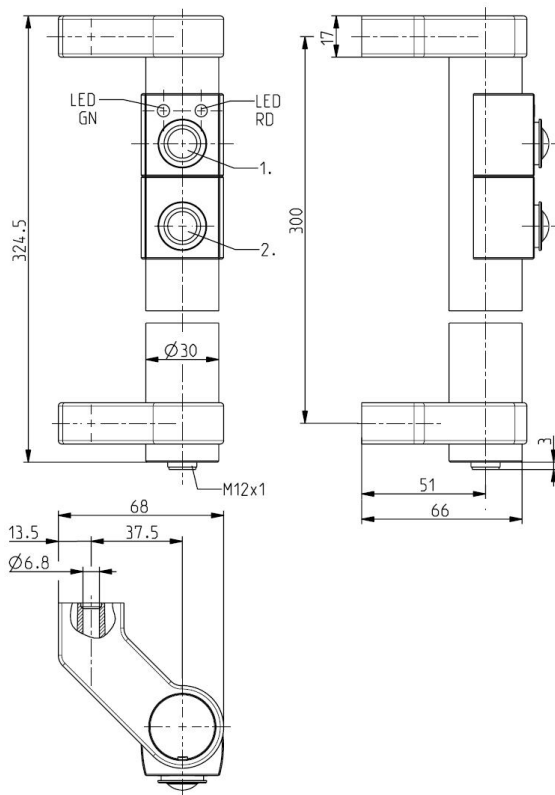
Multi-function handle TGM-300-W GR x S-L Material number: 1312085

Features/Options:

- Aluminium handle, silver matt anodised
- Long life
- Variant for right-hinged doors
- 1st push button: Enabling push button: single break change-over contact

- Green and red LED
- 2nd push button: Start button: 1 NO contact
- With plug-in connector M12 x 1, 12-pole
- Collars (blue, red, green) are included in delivery

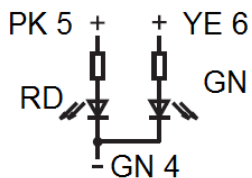
Dimensions



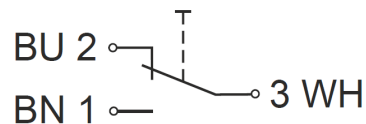
Technical data

| | |
|---|-------------------------------------|
| Applied standards | EN 60947-5-1 |
| Enclosure | aluminium, anodised, silver matt |
| Degree of protection | IP 67 to IEC/EN 60529 |
| Connection | Plug-in-connector M12 x 1, 12-poles |
| Rated operating current/voltage I_e/U_e | 0.5 A/24 VDC LEDs: 10 mA/24 VDC |
| Rated insulation voltage U_i | 30 VDC |
| Degree of pollution | 3 |
| Mechanical life | > 1 million operations |
| Ambient temperature | -25 °C ... +55 °C |

Contact diagram LEDs



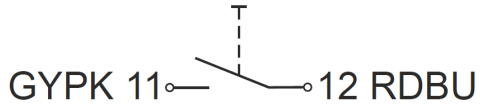
Contact diagram enabling push-button



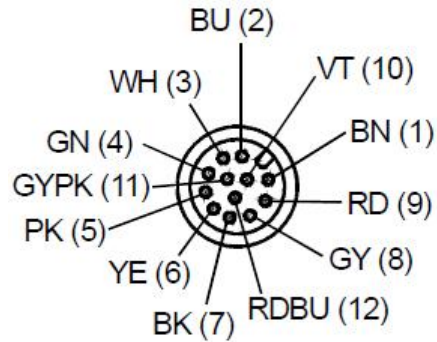


Multi-function handle
TGM-300-W GR x S-L
Material number: 1312085

Contact diagram start push-button



Plug-in connector



Plug-in configuration (view from plug side)
Plug-in connector M12 x 1, 12-pole