



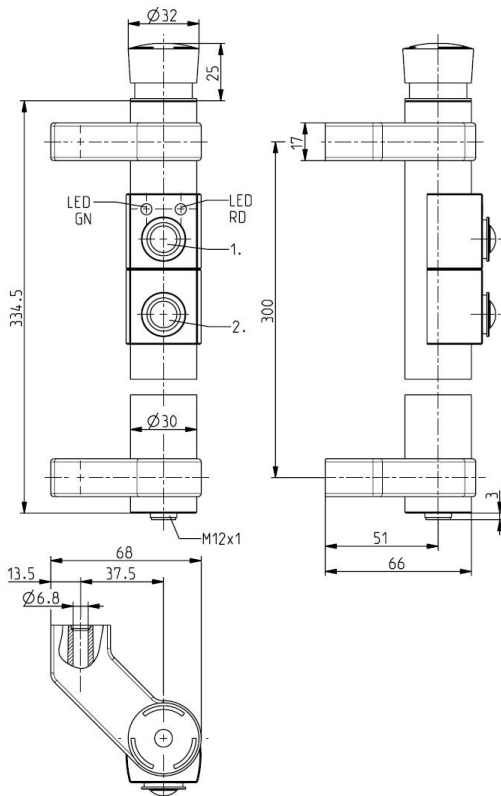
## Multi-function handle TGM-300-W GR 2Ö S-L Material number: 1312858

### Features/Options:

- Aluminium handle, silver matt anodised
- Long life
- Variant for right-hinged doors
- Emergency-stop push button to EN 60947-5-5: 2-channel ⊖
- 1st push button: Enabling push button: single break change-over contact

- Green and red LED
- 2nd push button: Start button: 1 NO contact
- With plug-in connector M12 x 1, 12-pole
- Collars (blue, red, green) are included in delivery

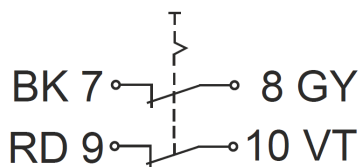
### Dimensions



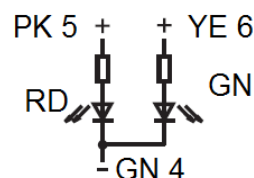
### Technical data

Applied standards	EN 60947-5-1, EN 60947-5-5
Enclosure	aluminium, anodised, silver matt
Degree of protection	IP 67 to IEC/EN 60529
$B_{10d}$ (10 % load)	100 000
$T_M$	max. 20 years
Connection	Plug-in-connector M12 x 1, 12-poles
Rated operating current/voltage $I_e/U_e$	0.5 A/24 VDC LEDs: 10 mA/24 VDC
Rated insulation voltage $U_i$	30 VDC
Degree of pollution	3
Mechanical life	> 50 000 operations
Ambient temperature	-25 °C ... +55 °C
Weight	555 g

### Contact diagram emergency-stop push-button



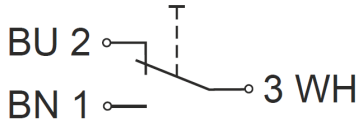
### Contact diagram LEDs



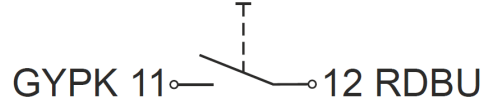


## Multi-function handle TGM-300-W GR 2Ö S-L Material number: 1312858

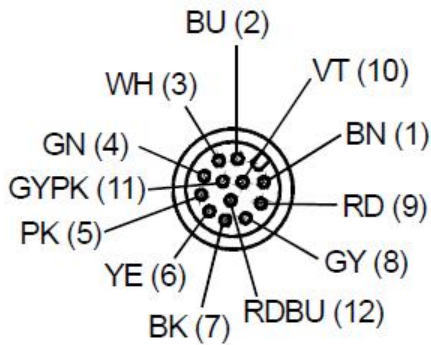
### Contact diagram enabling push-button



### Contact diagram start push-button



### Plug-in connector



Plug-in configuration (view from plug side)  
Plug-in connector M12 x 1, 12-pole