



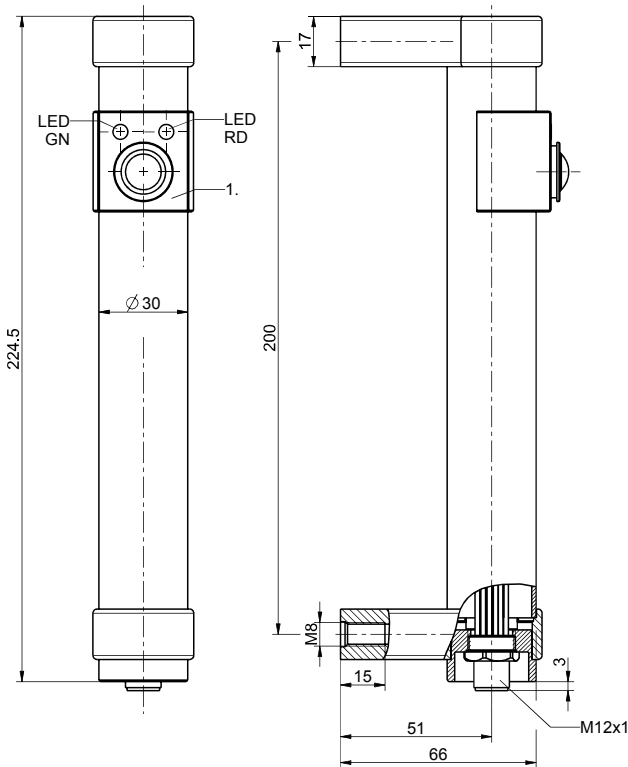
Multi-function handle TGM-200-W GR xx Material number: 1307515

Features/Options:

- Aluminium handle, silver matt anodised
- Long life
- Enabling push-button: single break change-over contact

- Green and red LED
- With plug-in connector M12 x 1, 12-pole
- Collars (blue, red, green) are included in delivery

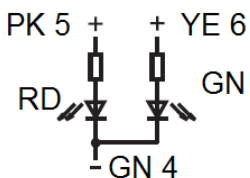
Dimensions



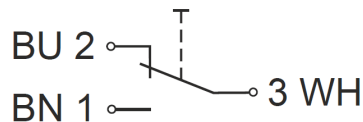
Technical data

Applied standards	EN 60947-5-1
Enclosure	aluminium, anodised, silver matt
Degree of protection	IP 67 to IEC/EN 60529
Connection	Plug-in-connector M12 x 1, 12-poles
Rated operating current/ voltage I_e/U_e	0.5 A/24 VDC LEDs: 10 mA/24 VDC
Rated operating isolation voltage U_i	30 VDC
Degree of pollution	3
Mechanical life	> 1 million operations
Ambient temperature	-25 °C ... +55 °C

Contact diagram LEDs



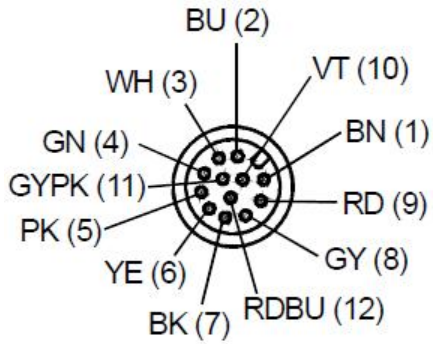
Contact diagram enabling push-button





Multi-function handle
TGM-200-W GR xx
Material number: 1307515

Plug-in connector



Plug-in configuration (view from plug side)
Plug-in connector M12 x 1, 12-pole