



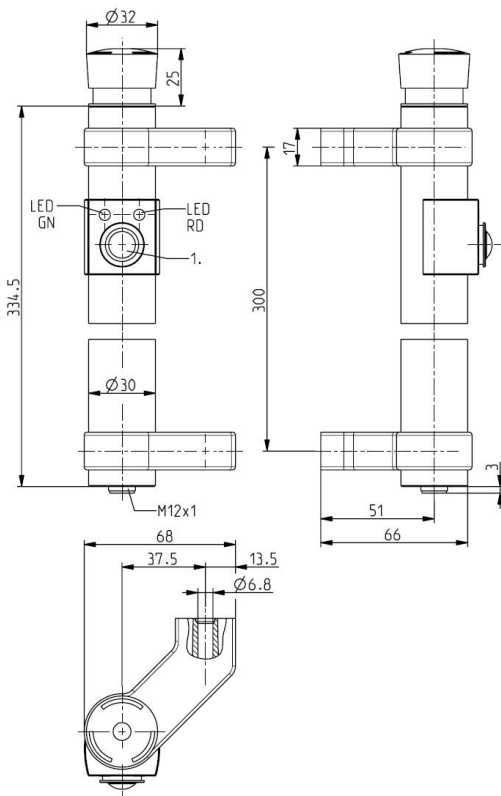
Multi-function door handles TGM-300-W GR 2Ö x-R Material number: 1317128

Features/Options:

- Aluminium door handle, silver matt anodised
- Long life
- Variant for left-hinged doors
- Emergency-stop push-button per EN 60947-5-5: 2-channel ☹

- Green and red LED
- Enabling push-button: single break change-over contact
- With plug-in connector M12 x 1, 12-pole
- Collars (blue, red, green) are included in delivery

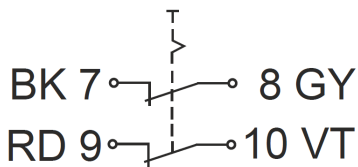
Dimensions



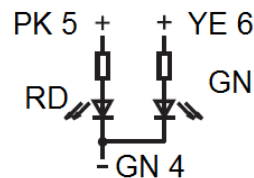
Technical data

Applied standards	EN 60947-5-1, EN 60947-5-5
Enclosure	Aluminium, silver matt anodised
Degree of protection	IP 67 to IEC/EN 60529
Connection	Plug-in-connector M12 x 1, 12-poles
Rated operating current/ voltage I_e/U_e	0.5 A/24 VDC LEDs: 10 mA/24 VDC
Rated operating isolation voltage U_i	30 VDC
Degree of pollution	3
Mechanical life	> 1 million operations
Ambient temperature	-25 °C ... +55 °C

Contact diagram emergency-stop push-button



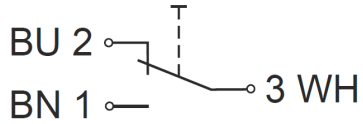
Contact diagram LEDs



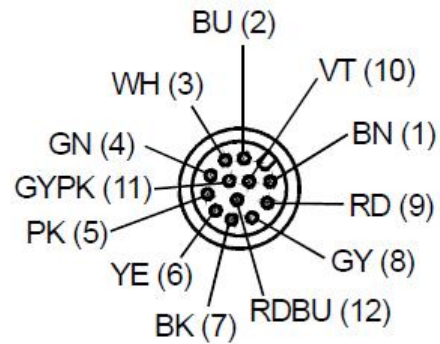


Multi-function door handles
TGM-300-W GR 2Ö x-R
Material number: 1317128

Contact diagram enabling push-button



Plug-in connector



Plug-in configuration (view from plug side)

Plug-in connector 12-pole