



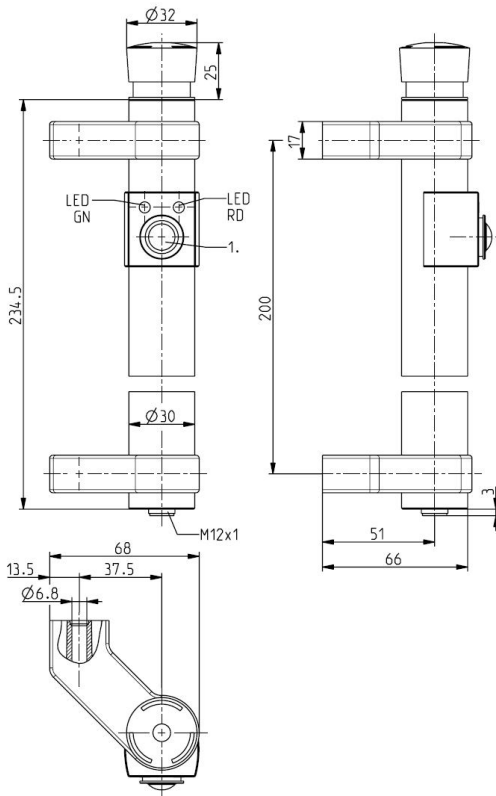
## Multi-function handle TGM-200-W GR 2Ö x-L Material number: 1312520

### Features/Options:

- Aluminium handle, silver matt anodised
- Long life
- Variant for right-hinged doors
- Emergency-stop push-button per EN 60947-5-5: 2-channel ☹

- Green and red LED
- Enabling push-button: single break change-over contact
- With plug-in connector M12 x 1, 12-pole
- Collars (blue, red, green) are included in delivery

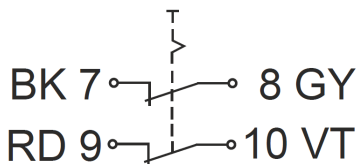
### Dimensions



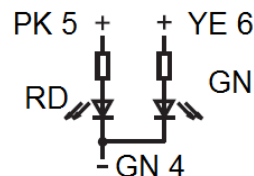
### Technical data

Applied standards	EN 60947-5-1, EN 60947-5-5
Enclosure	aluminium, anodised, silver matt
Degree of protection	IP 67 to IEC/EN 60529
Connection	Plug-in-connector M12 x 1, 12-poles
Rated operating current/voltage $I_e/U_e$	0.5 A/24 VDC LEDs: 10 mA/24 VDC
Rated operating isolation voltage $U_i$	30 VDC
Degree of pollution	3
Mechanical life	> 1 million operations
Ambient temperature	-25 °C ... +55 °C

### Contact diagram emergency-stop push-button



### Contact diagram LEDs

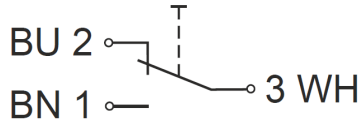


Errors and omissions excepted.

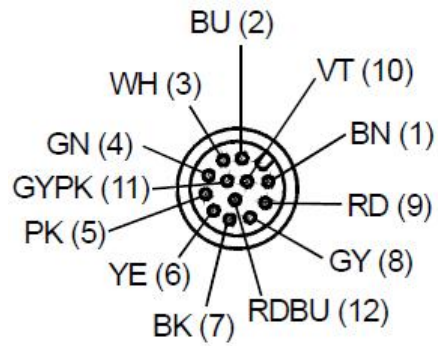


Multi-function handle  
TGM-200-W GR 2Ö x-L  
Material number: 1312520

### Contact diagram enabling push-button



### Plug-in connector



Plug-in configuration (view from plug side)  
Plug-in connector M12 x 1, 12-pole