



## Pull-wire switch

### ZS 75 1Ö/1S / 120-180 N

Material number: 1048349 (Material number old: 75141905)

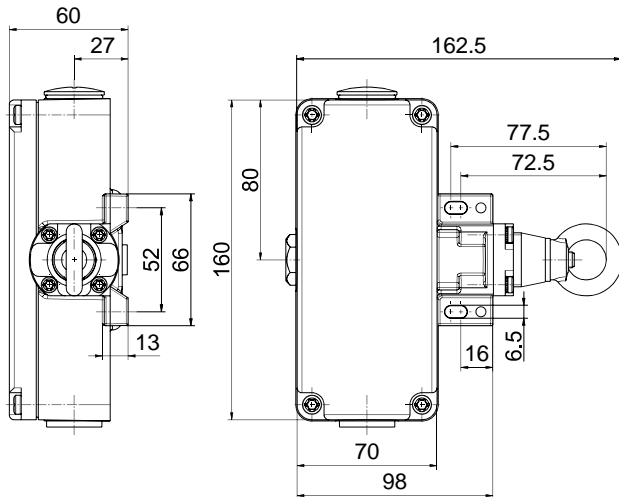
#### Features/Options:

- Metal enclosure
- 2 contacts
- Wire length up to 130 m
- Adjustable spring force: 120-180 N
- Wire pull and breakage detection
- Without mechanical latching

#### Notes

- At 5 m distance intermediate wire supports are required. One wire thimble is provided.

#### Dimensions



#### Technical data

Applied standards	EN ISO 13849-1, EN 60947-5-1
Enclosure	aluminium die-cast, powder-coated
Cover	aluminium die-cast, powder-coated
Degree of protection	IP 54 to IEC/EN 60529
$B_{10d}$ (10 % load)	2 million
$T_M$	max. 20 years
Contact material	silver
Switching elements	1 NC/1 NO contact
Switching system	snap action, positive break NC contacts $\ominus$
Connection	screw connection terminals
Cable cross-section	max. 2.5 mm <sup>2</sup> (incl. conductor ferrules)
Cable entry	2 x M25 x 1.5
Rated impulse withstand voltage $U_{imp}$	6 kV
Rated insulation voltage $U_i$	400 V
Conventional thermal current $I_{the}$	6 A
Utilisation category	AC-15
Rated operating current/voltage $I_e/U_e$	6 A/400 VAC
Short-circuit protection	6 A gG/gN fuse
Ambient temperature	-25 °C ... +70 °C
Mechanical life	> 1 million operations
Max. wire length	130 m

Errors and omissions excepted.



## Pull-wire switch

ZS 75 1Ö/1S / 120-180 N

Material number: 1048349 (Material number old: 75141905)

### Technical data

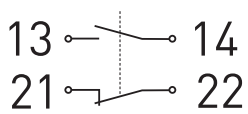
#### Approvals



#### Weight

870 g

### Contact diagram



### Switching diagram

