



Foot switch with metal enclosure

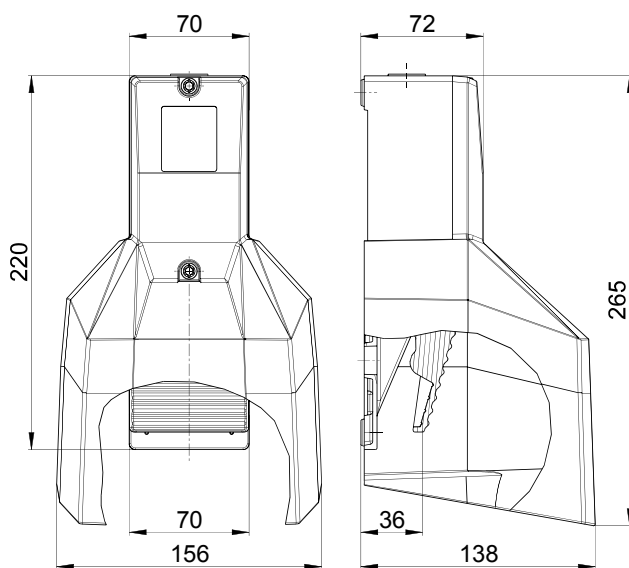
GFS HS 4-20 mA

Material number: 1048767 (Material number old: 81283003)

Features/Options:

- With Hall sensor: Analogue output
- Metal enclosure
- With protective shield
- Output value: 4 ... 20 mA
- Analogue output signal proportional to pedal travel
- High level of stability and low pedal height
- Wiring compartment

Dimensions



Technical data

Applied standards	EN 60947-5-1
Enclosure	aluminium die-cast, powder-coated
Pedal	thermoplastic, glass-fibre reinforced, impact resistant, self-extinguishing UL 94 V-0
Protective shield	aluminium die-cast, powder-coated
Degree of protection	IP 65 to IEC/EN 60529
Connection	screw connection terminals
Cable cross-section	max. 1.0 mm ² (incl. conductor ferrules)
Cable entry	1 x M20 x 1.5
Switching system	Hall sensor with analogue output
Output current I_a	4...20 mA \pm 1 %
Rated operating current/voltage I_e/U_e	45 mA/15 ... 30 VDC
Ambient temperature	-10 °C ... +70 °C
Mechanical life	> 1 million operations
Approvals	ERC
Weight	1284 g



Foot switch with metal enclosure

GFS HS 4-20 mA

Material number: 1048767 (Material number old: 81283003)

Contact diagram

