



Emergency grab-wire switch ZS 80 3Ö/1S WVD

Material number: 1178758 (Material number old: 72942502)

Features/Options:

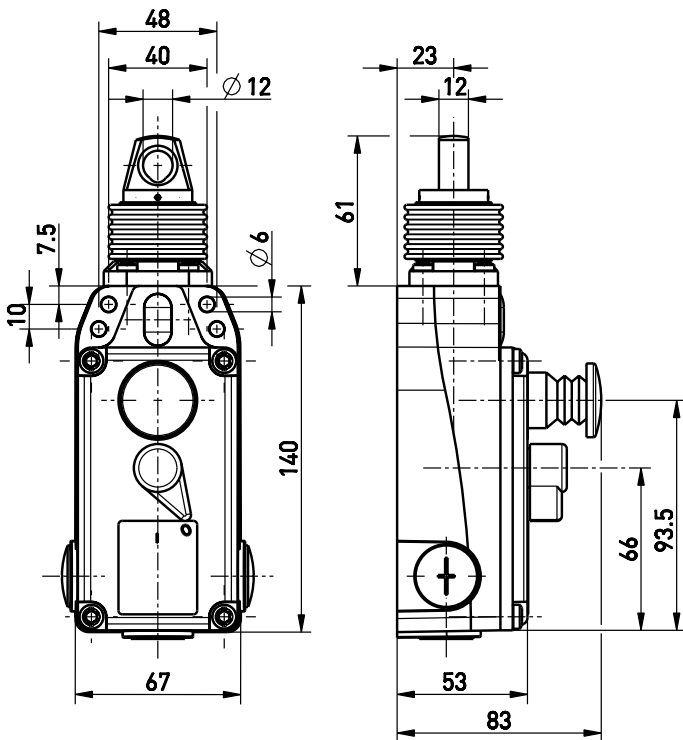
- Metal enclosure
- 4 contacts
- Position indicator and integrated emergency-stop push-button
- Wire length up to 100 m

- Spring force variant: 100 N
- Lever for release and position indication
- Watertight collar
- Wire pull and breakage detection

Notes

- At 5 m distance intermediate wire supports are required. One wire thimble is provided.

Dimensions



Technical data

Applied standards	EN 60947-5-1, -5; EN ISO 13850; EN ISO 13849-1
Enclosure	aluminium die-cast, powder-coated
Cover	glass-fibre reinforced, shock-proof thermoplastic, self-extinguishing UL 94 V-0
Degree of protection	IP 67 to IEC/EN 60529
Contact material	silver
Switching elements	3 NC/1 NO contacts, type Zb
Switching system	slow action, positive break NC contacts \ominus
Connection	2 x 4 pole terminal block
Cable cross-section	max. 2.5 mm ² (incl. conductor ferrules)
Cable entry	3 x M20 x 1.5
B _{10d} (10 % load)	200 000
T _M	max. 20 years
Rated impulse withstand voltage U _{imp}	2.5 kV
Rated operating isolation voltage U _i	250 V
Conventional thermal current I _{the}	2 A
Utilisation category	AC-15; DC-13
Rated operating current/voltage I _e /U _e	2 A/250 VAC; 0.25 A/230 VDC; 2 A/24 VDC
Max. fuse rating	2 A gG/gN fuse
Ambient temperature	-25 °C ... +70 °C



Emergency grab-wire switch ZS 80 3Ö/1S WVD

Material number: 1178758 (Material number old: 72942502)

Technical data

Mechanical life > 100 000 operations

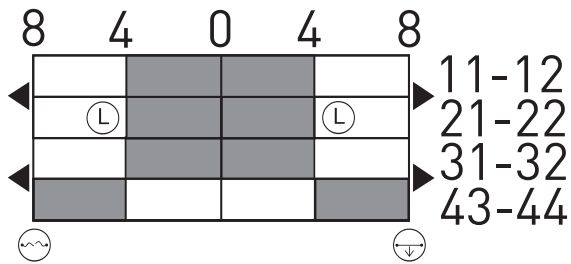
Max. wire length 100 m

Approvals



Weight 696 g

Switching diagram



Contact diagram

