

Accessories for magnetic sensors

M 700 N

Material number: 1042612 (Material number old: 05.00.8204)

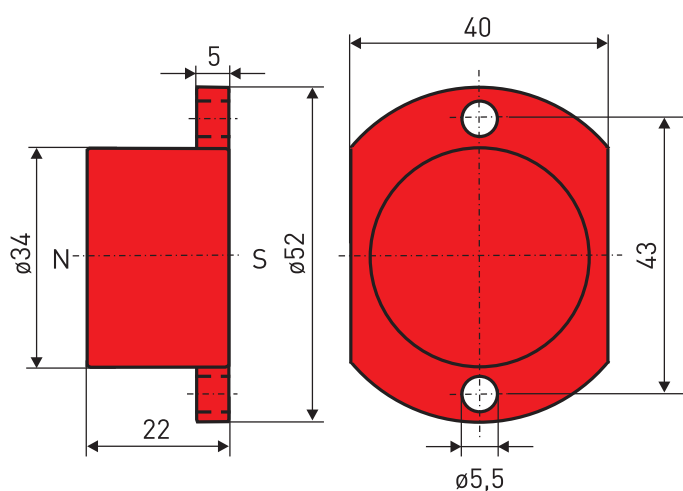
Features/Options:

- Thermoplastic enclosure polyamid 6.6, red S
- Magnet: Barium ferrite
- Temperature resistant from -40 °C to +80 °C

Notes

- The actuator is not included in the delivery of the switches

Dimensions



Technical data

Weight	68 g
--------	------