

## Accessories for magnetic sensors

M 500

Material number: 1042611 (Material number old: 05.00.8203)

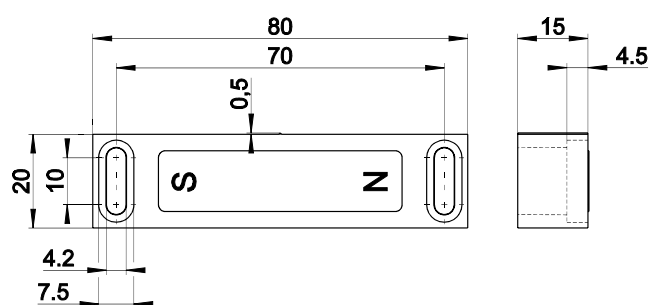
### Features/Options:

- Thermoplastic enclosure glass-fibre reinforced polyamid
- Magnet: AlNiCo
- Temperature resistant from -40 °C to +80 °C

### Notes

- The actuator is not included in the delivery of the switches

### Dimensions



### Technical data

Weight	52 g
--------	------