



Accessories for Ex 355 AZ

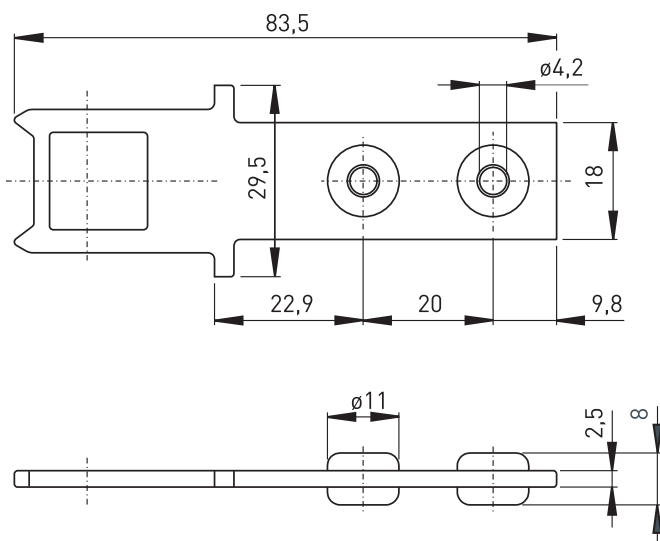
Straight actuator AZ 335/355-B1-2245 with rubber

Material number: 1170537 (Material number old: 01.08.0157)

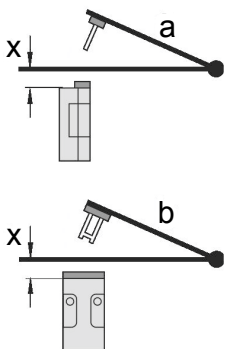
Features/Options:

- Rubber mounting damps vibrations on guard devices
- Actuating radius on hinged guards a = 900 mm and b = 700 mm
- Axial misalignment x = 52.7 mm

Dimensions



Actuating radii



The axis of the hinge should be x mm above the top edge of the safety switch and in the same plane.

a = Actuating radius to the plane of the actuator

b = Actuating radius in line with the plane of the actuator

x = Axial misalignment

Attention! x must be referred to the surface of the enclosure and not to the inserted actuator!

Errors and omissions excepted.