

Accessories for emergency pull-wire switches

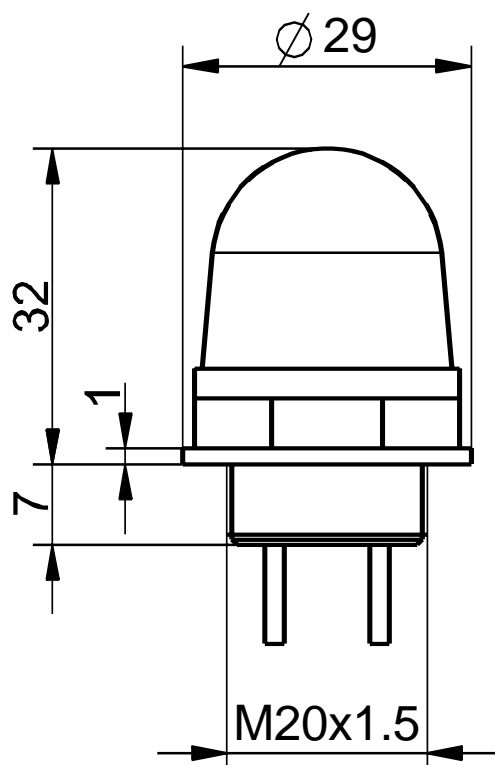
Indicator lamp Multi-LED RD 230 VAC

Material number: 1178917 (Material number old: 01.41.5116)


Features/Options:

- Lamp cap red
- M20 x 1.5
- 230 VAC

Dimensions



Technical data

Calotte	polycarbonate, impact resistant, self-extinguishing UL 94 V-0, red transparent
Degree of protection	IP 65 to IEC/EN 60529
Rated operating voltage range U_B	230 VAC $\pm 10\%$
Rated operating current I_e	20 mA
Lifetime	max. 100,000 h
Lamp	LED
Connection	stranded wires (tinned) with conductor ferrules
Ambient temperature	-20 °C ... +50 °C
Thread	M20 x 1.5
Approvals	 cULus
Weight	17 g