

Accessories for emergency pull-wire switches

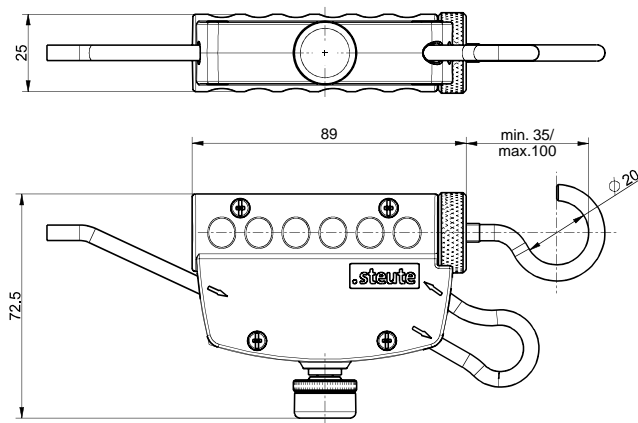
Cable Tensioner System TS 65

Material number: 1186621 (Material number old: 04.71.7101)

Features/Options:

- Only one tool
- Injury-free
- Ergonomically designed
- Easy to adjust
- Non-slip
- Time-saving

Dimensions



Technical data

Enclosure	thermoplastic
Tension bolt	stainless steel 1.4305
Tractive force	max. 700 N
Setting range	max. 65 mm
Rope diameter	4 - 5 mm (wire rope with thermoplastic coating)
Required pull diameter	min. 8 mm
Max. wire length	130 m
Weight	139 g

Errors and omissions excepted.