

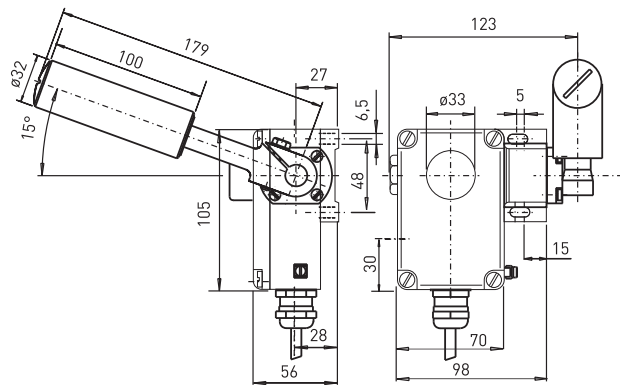
Ex belt-alignment switches // EEx ZS 73 SR

Features/Options

- Ex zone 1 and 2, as well as 21 and 22
- Metal enclosure
- 2 contacts
- Cable

- Release by push button or key possible
- Belt-alignment roller made of stainless steel 1.4104
- Special version only for equipment category 3D, available for dust Ex zone 22
- Inmetro approval for Brazil to be ordered separately

Dimensions



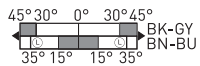
Technical data

Standards	IEC/EN 60947-5-1, EN 50014, EN 50018, EN 50281-1-1
Enclosure	aluminium die casting, enamel finish; ZS 73 NIRO: aluminium die casting, hard-coated and enamelled
Cover	glass-fibre reinforced, shockproof thermoplastic, ultramid
Switch insert	EEx 14
Protection class	EEx ZS 73 SR VD: IP 65; EEx ZS 73 SR VS: IP 54; to IEC/EN 60529
Contact material	silver
Switching system	slow action, positive break NC contacts ⊖
Switching elements	change-over contact with double break or 2 NC contacts
Connection	cable H05VV-F
Cable section	4 x 0.75mm ² (incl. conductor ferrules)
Cable length	3 m
U _{imp}	6 kV
U _i	250 V
I _{the}	6 A
Utilisation category	AC-15, DC-13
I _e /U _e	6 A/250 VAC, 0,25 A/230 VDC
Max. fuse rating	6 A gL/gG D-fuse
Ambient temperature	-20 °C ... +65 °C, T5: +75 °C
Mechanical life	> 1 million operations
Ex certification	⊕ II 2G EEx d IIC T6, II 2D IP65 T80°C
Approvals	PTB 06 ATEX 1066 X

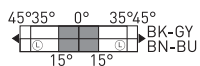
Contact variants

Snap action

1 NC/1 NO contact
EEx ZS 73 SR 10/1S



2 NC contacts
EEx ZS 73 SR 2Ö



Errata and technical changes reserved.