

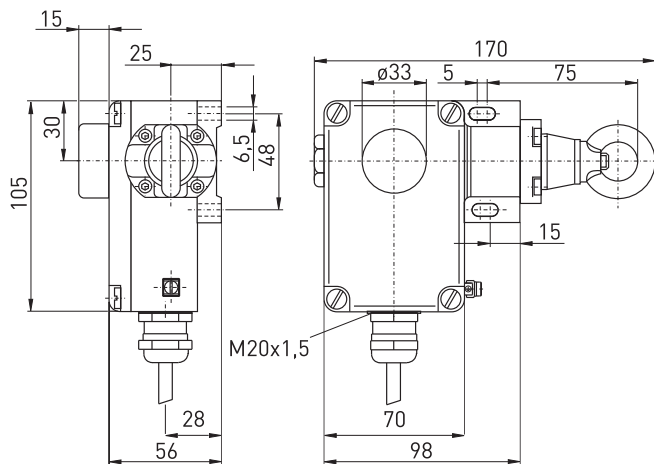
## Ex emergency pull-wire switches // EEx ZS 73

### Features/Options

- Ex zone 1 and 2, as well as 21 and 22
- Metal enclosure
- 2 contacts
- Wire length up to 50 m

- 4 various spring force variants (actuating forces), adjustable actuating force: 295-390 N for 30-50 m, 195-275 N for 20-30 m, 120-180 N for 10-20 m, 80-100 N for max. 10 m
- Wire pull and breakage function
- Special version only for equipment category 3D, available for dust Ex zone 22
- Inmetro approval for Brazil to be ordered separately

### Dimensions



### Technical data

<b>Standards</b>	IEC/EN 60947-5-1, IEC/EN 60947-5-5, EN 50014, EN 50018, EN 50281-1-1
<b>Enclosure</b>	aluminium die-cast, enamel finish; ZS 73 NIRO: aluminium die-cast, hard-coated and enamelled
<b>Cover</b>	glass-fibre reinforced, shock-proof thermoplastic, ultramid
<b>Switch insert</b>	EEx 14
<b>Protection class</b>	EEx ZS 73 WVD: IP 65; EEx ZS 73 VD, EEx ZS 73 VS and EEx ZS 73 WVS: IP 54 to IEC/EN 60529
<b>Contact material</b>	silver
<b>Switching system</b>	slow action, positive break NC contacts ⊖
<b>Switching elements</b>	change-over contact with double break or 2 NC contacts
<b>Connection</b>	cable H05VV-F
<b><math>B_{10d}</math> (10% Load)</b>	100.000
<b>M</b>	10 years
<b>Cable section</b>	4 x 0.75 mm <sup>2</sup> (incl. conductor ferrules)
<b>Cable length</b>	3 m
<b><math>U_{imp}</math></b>	4 kV
<b><math>U_i</math></b>	250 V
<b><math>I_{the}</math></b>	6 A
<b>Utilisation category</b>	AC-15, DC-13
<b><math>I_e/U_e</math></b>	6 A/250 VAC, 0.25 A/230 VDC
<b>Max. fuse rating</b>	6 A gL/gG D-fuse
<b>Ambient temperature</b>	-20 °C ... +65 °C, +75 °C ... T5
<b>Mechanical life</b>	> 1 million operations
<b>Max. wire length</b>	50 m
<b>Features</b>	wire pull and breakage function
<b>Ex certification</b>	⊕ II 2G EEx d IIC T6, II 2D IP65 T80°C
<b>Approvals</b>	PTB 09 ATEX 1066 X

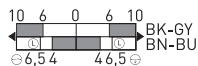


Recommended wire length

Errata and technical changes reserved.

### Slow action

1 NC/1 NO contact  
EEx ZS 73 10/1S



2 NC contacts  
EEx ZS 73 20

